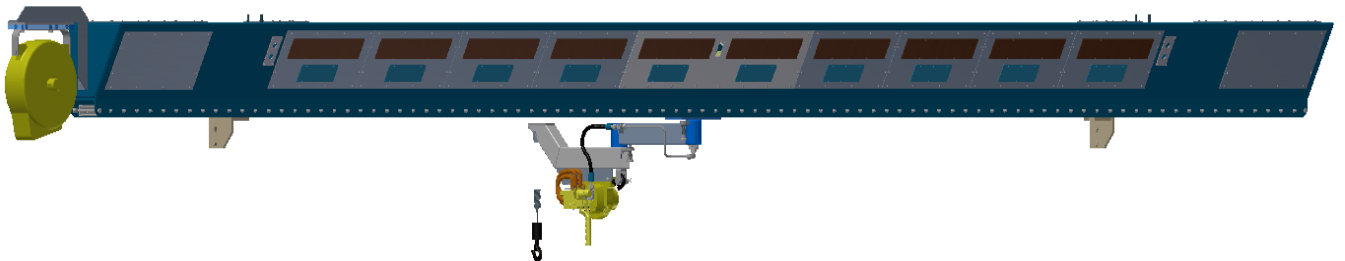
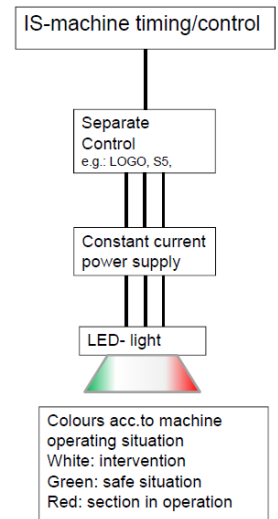
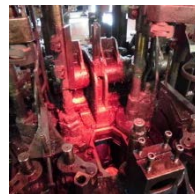
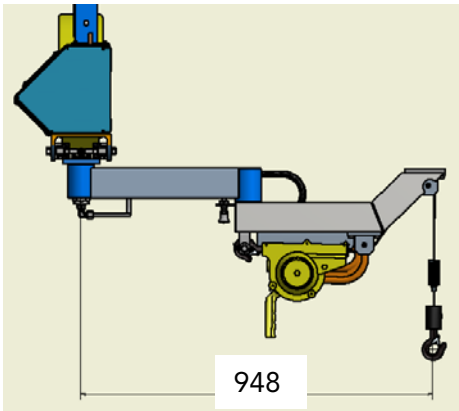




Blank side overhead manifold with lifting device and LED lighting





Features:

- for 6, 8, 10 and 12 sec. IS-machines
- for tandem applications 6+6, 8+8 and 10+10 two manifolds will be delivered each equipped with a lifting device
- one-hand operation
- maximum lifting force:120kg
- inlet pressure: 4-6 bar (a pressure booster could be supplied optional)
- lift: max.:1,9m
- length of cantilever arm approx.: 948mm
- optionally: LED lighting system (white, red and green light) incl. controller
- the profil of the manifold could be designed accordingly to the type of IS-machine and the kind of operator panels to be reused
- fits to any type of IS-machine